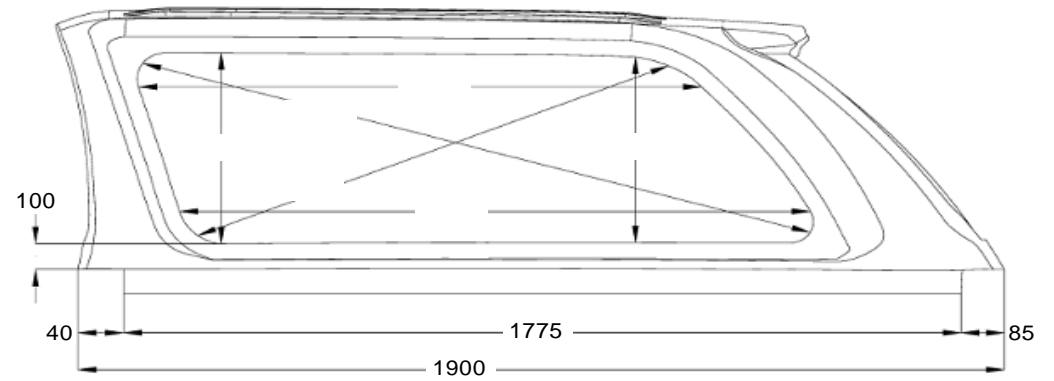
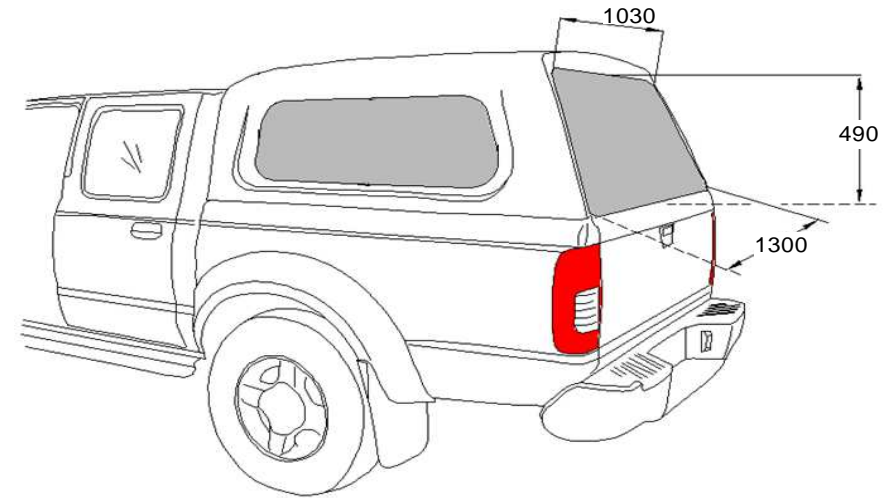


Net weight: 80,00 kg  
 Gross weight: 110,00 kg  
 Volume: 2,36 m<sup>3</sup>



20 x 10 x 5000 GKS ECONOMY - 1,5 m  
 100 - 3 m